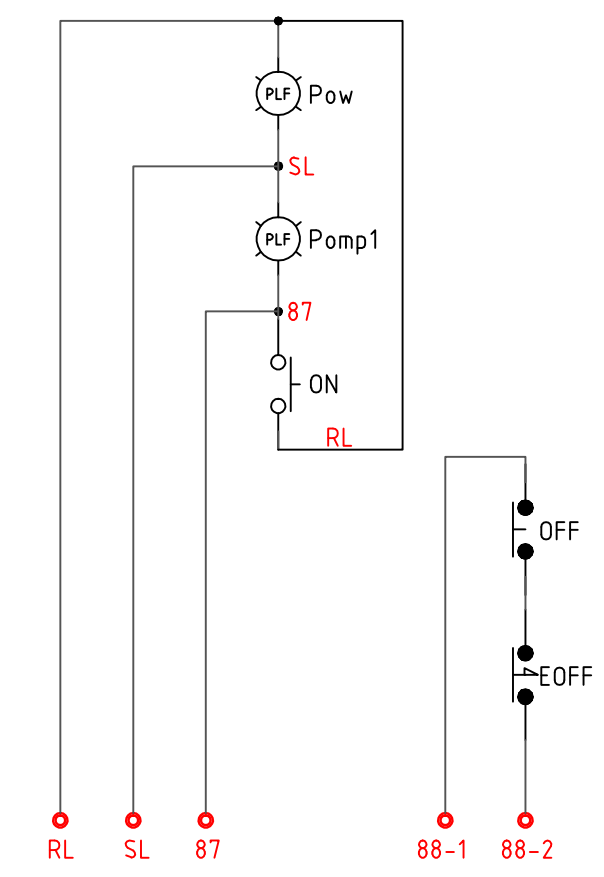


		116 116					
RL	SL		115	-1	-2		
1	2	3	4	5	6	7	8

2 F 改造回路 (2009/08)

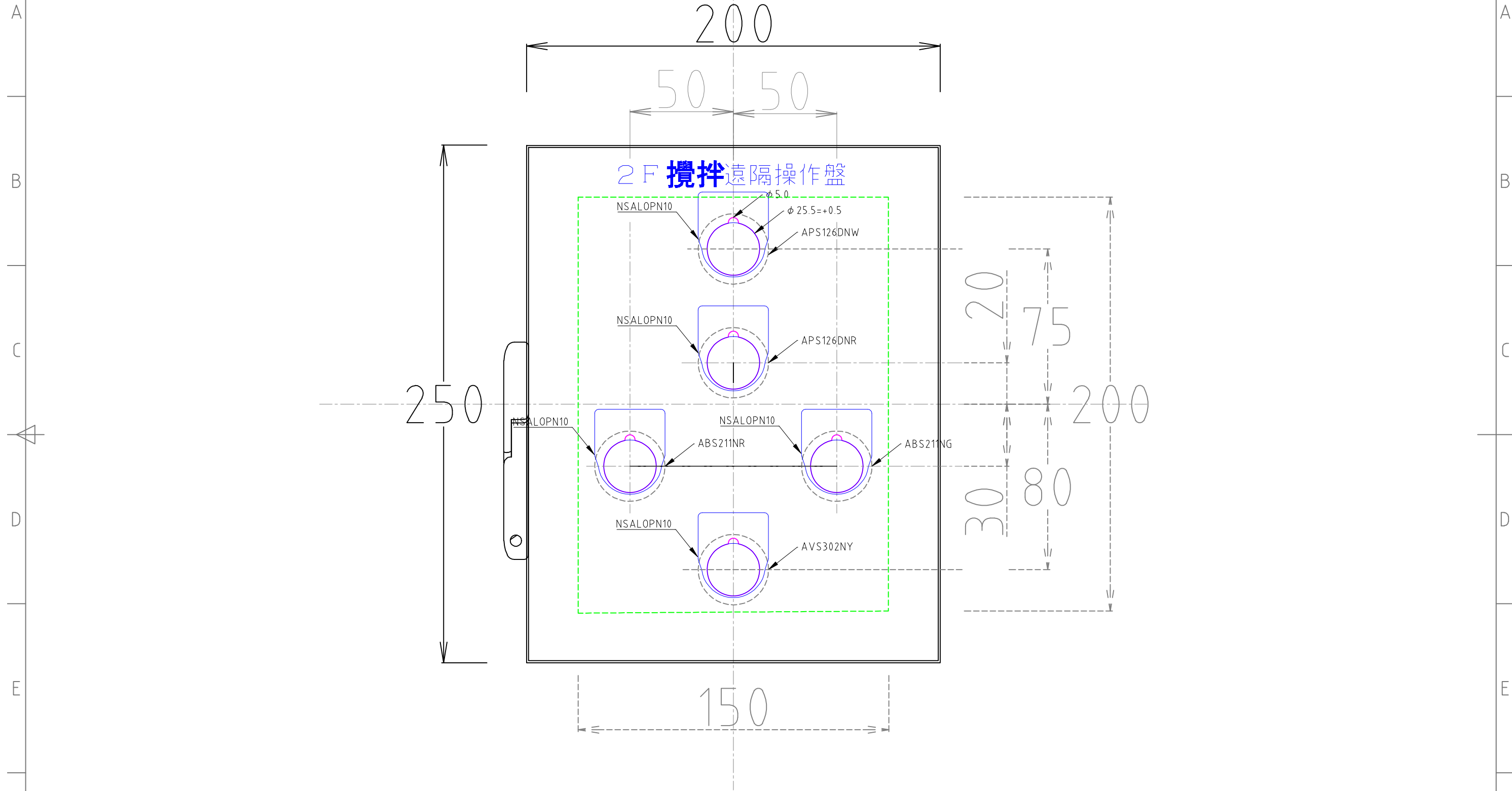


		88 88					
RL	SL		87	-1	-2		
1	2	3	4	5	6	7	8

1 F 改造回路 (2009/08)

操作盤配線図
 制御盤改造 (分離水送出1-2配線図)

Itemref	Quantity	Title/Name, designation, material, dimension etc			Article No./Reference	
Designed by COMMCESS	Checked by HIRAHARA	Approved by - date 2008/04/07	Filename KAKUDAI/KA11	Date 2009/07/29	Scale DATE	
汚泥リサイクル施設				HHKG		
				COMMCESS		Edition Sheet



汚泥処理遠隔操作盤製作図（2Fカクハン）へ変更

Itemref	Quantity	Title/Name, designation, material, dimension etc			Article No./Reference	
Designed by COMMCESS	Checked by HIRAHARA	Approved by - date 2008/04/07	Filename 1F-KAKUHAN	Date 2009/08/17	DATE	Scale
汚泥リサイクル施設			HHKG			
CL12-225/Nito			COMMCESS		Edition	Sheet